

SERVOMEX 2700C

COMBUSTION GAS ANALYSER

for continuous measurement of oxygen and/or combustibles (COe) and enable increased combustion efficiency

- Unique close coupled, low extracted volume design protects sensors and provides fast, in-phase O₂ and COe measurement without probe blockages
- Long life, low drift zirconia and catalytic sensors
- Protective, BASEEFA tested flametraps as standard
- Wide variety of probes and flanges
- Configurations for safe or hazardous area use
- Proven applications include power generation boilers, process heaters, thermal crackers and incinerators



SPECIFICATION

GASES MEASURED	Oxygen (O ₂)	Combustibles (COe - Carbon Monoxide Equivalent)	
TECHNOLOGY	Zirconium oxide (zirconia)	Patented thick film catalytic sensor	
SENSOR VARIANT	Standard	High Sensitivity (1750/702)	High Range (1750/703)
Typical fuels	All	<2% sulphur gas, oil and coal	Other fuels and wastes ¹
PERFORMANCE			
Min. recommended range:	0-1% O ₂	0-500ppm	0-1500ppm
Max. COe in stream:	Not applicable	2000ppm	6000ppm
Intrinsic error (accuracy):	±1% of reading or ±0.1% O ₂ *	±25ppm or ±5% of reading*	±75ppm or ±5% of reading*
Recommended resolution:	0.01% O ₂	1ppm	10ppm
Sensor head response time (T ₉₀):	<10 seconds	<20 seconds	<20 seconds
Typical calibration period:	12 months	2 months	2 months
SIGNAL INPUTS/OUTPUTS			
Analogue Outputs:	One configurable isolated 0/4-20mA per measurement (impedance 600 Ω or less) O ₂ output configurable from 0-1% min. to 0-25% max. O ₂ in 1% steps COe output configurable from 0-500ppm to 0-15,000ppm (measurement range remains as above)		
Alarms & Relays:	Four SPCO relays (250V ac/3A or 28V dc/1A max), configurable for Concentration Alarms, Faults, In Calibration, In Blowback, and solenoid valves for blowback and autocalibration		
Digital Inputs:	Two non-isolated digital inputs provided to initiate autocalibration and perform blowback		
PHYSICAL			
Ingress Protection:	IP66/NEMA 4X		
Weight:	Control Unit: <11kg (<24.3lbs) Sensor Head, dual transducer: <17kg (<37.5lbs)		
Mounting:	Wall mounting sensor head, and wall mount 19" rack or panel mount control unit, with a wide choice of probes, mounting flanges and adaptors to assist retrofitting. See over for dimensions and more details		
ENVIRONMENTAL			
Area classification:	Versions available for safe and hazardous areas (see over for details)		
Ambient temperature:	Sensor head -20°C to +70°C (-4°F to +158°F) Control unit -10°C to +55°C (+14°F to +131°F)		
Altitude:	Maximum 2000m (6500ft)		

* whichever is greater

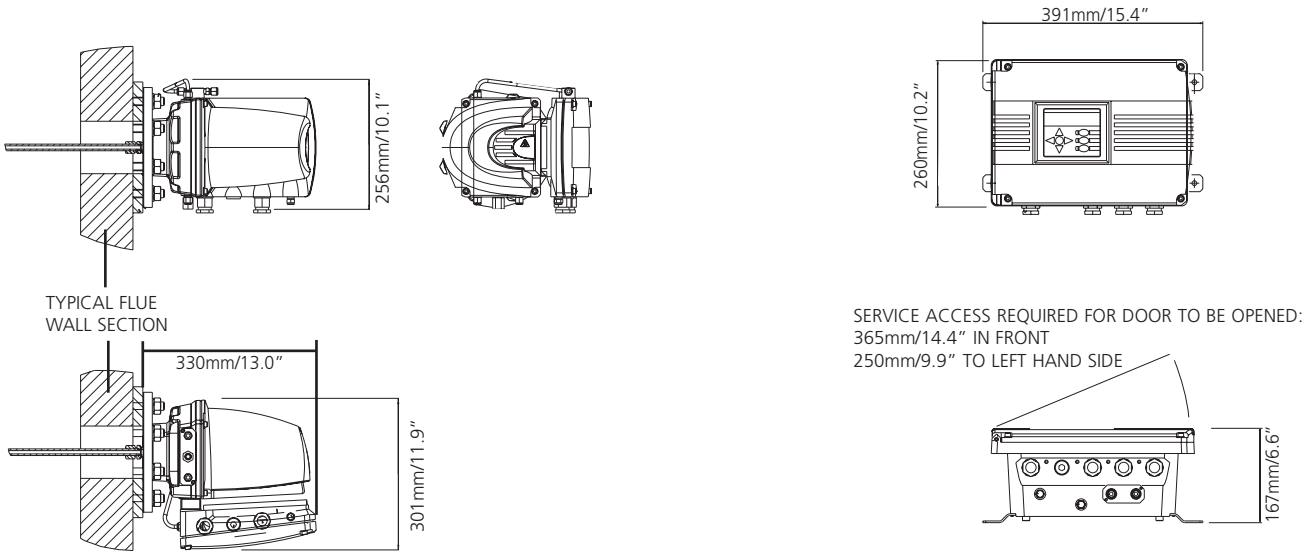
¹ Consult Servomex for high sulphur (> 4%) and other applications

SERVOMEX 2700C COMBUSTION GAS ANALYSER

The Servomex 2700C provides a fast, accurate and low maintenance solution for determining conditions in combustion processes. Such processes must normally run with excess oxygen levels and Servomex zirconia oxygen sensors have an enviable reputation for lifetime and resilience. In addition, when measured in phase with oxygen levels, early detection of combustibles breakthrough can allow many processes to be run at lower excess oxygen levels, reducing fuel costs and harmful emissions. Traditionally, problems encountered in combustion analysis included slow, inaccurate or short lifetime sensors and the inability to sample gases reliably, especially when hot, dusty or corrosive. By design the Servomex 2700 overcomes these obstacles and has been proven as a reliable, low cost of ownership analyser that enables users to make real savings. In the latest "C" version installation has been simplified and measurement performance even further enhanced.

DIMENSIONS

Typical analyser mounting orientation with 4" ANSI flange. Other flanges are available
Max. separation of sensor head and control unit: O₂ only 300m COe only / Dual 100m



APPROVALS (OTHER THAN GENERAL PURPOSE / SAFE AREAS)

- Control unit: EUROPE - ATEX Group II, Category 3 Gases and Dusts (Zone 2)
USA - Class I and II, Div. 2 and Class III, Div. 1 and 2
CANADA - Class 1, Div. 2; Class II, Div. 1 and Class III, Div. 1
- Sensor head: EUROPE - ATEX Group II, Category 3 Gases (Zone 2) when fitted with a suitable purge
USA - Class I and II, Div. 2 and Class III, Div. 1 and 2 when fitted with a suitable purge
- Performance: TÜV tested and notification by BMU to the requirements of BImSchV 13 (large combustion plant) and 17 (waste incineration and similar processes).

SERVOMEX COMPANIES, AGENTS AND REPRESENTATIVES ARE LOCATED THROUGHOUT THE WORLD. FOR YOUR NEAREST CONTACT VISIT WWW.SERVOMEX.COM

Servomex has a policy of constant product improvement and therefore reserves the right to change specifications without notice.



Certificate No. Q05166
BS EN ISO 9001



Certificate No. EMS82701
BS EN ISO 14001



EAME (Europe, Africa and Middle East):

Servomex Group Limited, Jarvis Brook, Crowborough, East Sussex, TN6 3DU, England
Servomex GmbH, Münsterstraße 5, 59065 Hamm, Germany
Servomex S.A., 8 Rue Proudhon, B.P. 50, 93212 St Denis La Plaine Cedex, France
Servomex B.V., Stephensonstraat 20, 2723 RN Zoetermeer, Netherlands
Servomex Group Limited, SAIF Zone, Executive Suites Z1-56, PO Box 8962, Sharjah, UAE.

AMERICAS:

Servomex Company Inc., 525 Julie Rivers, Suite 185, Sugar Land, Texas 77478-2847, USA.

ASIA PACIFIC:

Servomex Asia Pacific Ltd, (Spectris Instrumentation and Systems (Shanghai) Ltd)
Building 9, Shanghai Euromate Industrial Park, No.88 Lane 2888 Hua Ning Road, Xinzhuang Industrial Park, Shanghai 201108 PR China
Servomex Asia Pacific Ltd, 7F, No.88, Sec. 6, Chung Shan N. Rd., Taipei, Taiwan
Servomex India, (Spectris Technologies Pvt.Ltd) 7th Floor, Sunil Enclave, CTS No.307, Village Gundavli, Shivaji & Perriera Hill Road Junction, Opp. Landmark Building, Off Andheri Kurla Road, Andheri (East), Mumbai 400 099, India.
Servomex Japan, (Spectris Co.Ltd) 1F KDX Kaji-cho Bldg., 3-5-2 Kandakaji-chou, Chiyoda-ku, Tokyo 101-0045, Japan

Global email: info@servomex.com

☎ (44) 1892 652181 Fax (44) 1892 662253
☎ (49) 23 81 68 82 13 Fax (49) 23 81 68 81 75
☎ (33) 1 49 46 22 50 Fax (33) 1 49 46 22 51
☎ (31) 79-346 42 42 Fax (31) 79-342 08 19
☎ (971) 6 557 0303 Fax (971) 6 557 1242

☎ (1) 281-295-5800 Fax (1) 281-295-5899

☎ (86) 21 6442 6488 Fax (86) 21 6442 6498
☎ (886) 2-2833 8848 Fax (886) 2-2833 8844

☎ (91) 22 67100359/60 Fax (91) 22 66778896
☎ (81) 3 3255 8162 Fax (81) 3 3255 8154

Website: <http://www.servomex.com>