

SERVOMEX 1900MV

HAZARDOUS AREA MARINE OXYGEN ANALYSER

The Servomex 1900MV hazardous area approved oxygen analyser offers a reliable, purge free solution for marine vapour recovery and emissions control systems.

- Servomex non-consumable paramagnetic oxygen sensor not affected by background.
- Rugged, two compartment design: Exd terminals chamber with separate intrinsically safe sensor compartment enables easy calibration.
- Range of outputs to aid integration.
- Backed by Servomex worldwide service and support.
- MED approved



SPECIFICATION

GASES MEASURED: OXYGEN, O₂

PERFORMANCE

Technology: Magnetodynamic paramagnetic sensor
 Range: 0-25% O₂
 Intrinsic Error (accuracy): <0.05% O₂
 Linearity: <0.05% O₂
 Repeatability: <0.05% O₂
 Response time (T90): 4 to 7 seconds¹
 Zero drift/week: <0.05% O₂
 Span drift/week: <0.05% O₂
 Sample flow rate effect: Base Analyser: <0.1% O₂ over 50 to 250 ml/min
 With AFCD: N/A

Ambient temperature coefficient: 0.2% O₂ ± 0.5% of reading/10°C

SIGNAL OUTPUTS

Analogue: One 4-20 mA, isolated & one 0-1V dc, non-isolated. Ranges selectable from 0 - 2.5, 5, 10 and 25% O₂
 Alarms: Concentration Two volt free changeover relays
 Sample flow fail One volt free changeover relay (optional)

PHYSICAL

Dimensions:(W x D x H) 448mm x 229mm x 235 mm (17.6" x 9" x 9.25")
 Weight: 26 kg / 57 lbs
 Hazardous area Zone 1/ATEX 2G
 Ingress Protection: IP 65
 Ambient temperature: Operating: -10°C to +50°C (+14°F to +122°F) Storage: -20°C to 55°C (-4°F to 131°F)

1. Dependant on configuration

Configuration	Base Analyser Viton/SS	With AFCD Automatic Flow Control Device
Inlet Pressure	0.04 psig † 0.3 kPag min	1 to 5 psig 7 to 35 kPag
Flow Rate	50 to 250ml/min	1.2 to 3.5 l/min
Vent Pressure	11.5 to 18.0 psia (80.5 to 126kPaa)	
Dew Point	5°C below ambient temperature	
Temperature	Sample gas not above ambient	
Particulates	<3µm (micron)	
Condition	Clean, non-corrosive * and free from oil/condensate	
Connections	¼" NPT female inlet/outlet connectors	

† Adjust pressure and sample flow externally to provide sample flow rate
* For corrosive samples use a solvent resistant cell option

Hazardous Area Approval

(not suitable for use with O₂ enriched samples)

ATEX (Europe) Ex II 2G
EEx ia d IIC T4
(-20°C < Ta < 50°C)

Suitable for flammable samples

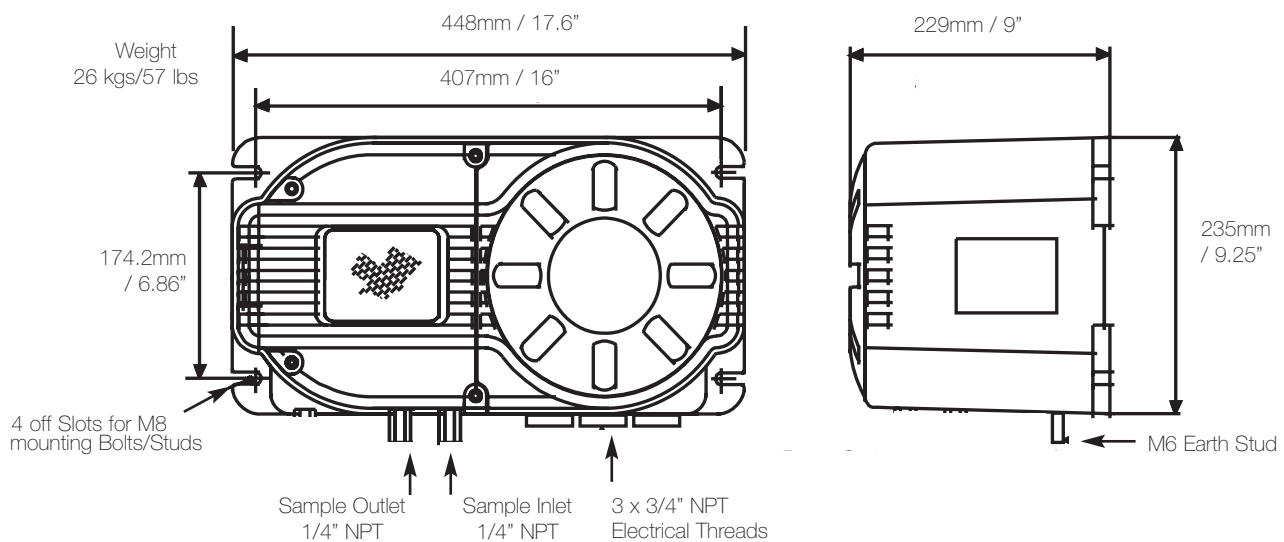
Performance Approval



The 1900MV complies with EN50104: 1999 "Electrical apparatus for the detection and measurement of oxygen", and meets the requirements of the Marine Equipment Directive (MED) Annex A.1/3.30 .

Front View

Side View



SERVOMEX COMPANIES, AGENTS AND REPRESENTATIVES ARE LOCATED THROUGHOUT THE WORLD. FOR YOUR NEAREST CONTACT VISIT WWW.SERVOMEX.COM

Servomex has a policy of constant product improvement and therefore reserves the right to change specifications without notice.



Certificate No. Q05166
BS EN ISO 9001



Certificate No. EMS82701
BS EN ISO 14001



EAME (Europe, Africa and Middle East):

Servomex Group Limited, Jarvis Brook, Crowborough, East Sussex, TN6 3DU, England
Servomex GmbH, Münsterstraße 5, 59065 Hamm, Germany
Servomex S.A., 8 Rue Proudhon, B.P. 50, 93212 St Denis La Plaine Cedex, France
Servomex B.V., Stephensonstraat 20, 2723 RN Zoetermeer, Netherlands
Servomex Group Limited., SAIF Zone, Executive Suites Z1-56, PO Box 8962, Sharjah, UAE.

AMERICAS:

Servomex Company Inc., 525 Julie Rivers, Suite 185, Sugar Land, Texas 77478-2847, USA.

ASIA PACIFIC:

Servomex Asia Pacific Ltd, (Spectris Instrumentation and Systems (Shanghai) Ltd)
 Building 9, Shanghai Euromate Industrial Park, No.88 Lane 2888 Hua Ning Road, Xinzhuang Industrial Park, Shanghai 201108 PR China
Servomex Asia Pacific Ltd, 7F, No.88, Sec. 6, Chung Shan N. Rd., Taipei, Taiwan
Servomex India, (Spectris Technologies Pvt.Ltd) 7th Floor, Sunil Enclave, CTS No.307, Village Gundavli, Shivaji & Perriera Hill Road Junction, Opp. Landmark Building, Off Andheri Kurla Road, Andheri (East), Mumbai 400 099, India.
Servomex Japan, (Spectris Co.Ltd.) 1F KDX Kaji-cho Bldg., 3-5-2 Kandakaji-chou, Chiyoda-ku, Tokyo 101-0045, Japan

Global email: info@servomex.com

☎ (44) 1892 652181 Fax (44) 1892 662253
 ☎ (49) 23 81 68 82 13 Fax (49) 23 81 68 81 75
 ☎ (33) 1 49 46 22 50 Fax (33) 1 49 46 22 51
 ☎ (31) 79-346 42 42 Fax (31) 79-342 08 19
 ☎ (971) 6 557 0303 Fax (971) 6 557 1242

☎ (1) 281-295-5800 Fax (1) 281-295-5899

☎ (86) 21 6442 6488 Fax (86) 21 6442 6498
 ☎ (886) 2-2833 8848 Fax (886) 2-2833 8844

☎ (91) 22 67100359/60 Fax (91) 22 66778896
 ☎ (81) 3 3255 8162 Fax (81) 3 3255 8154

Website: <http://www.servomex.com>