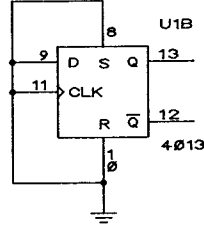
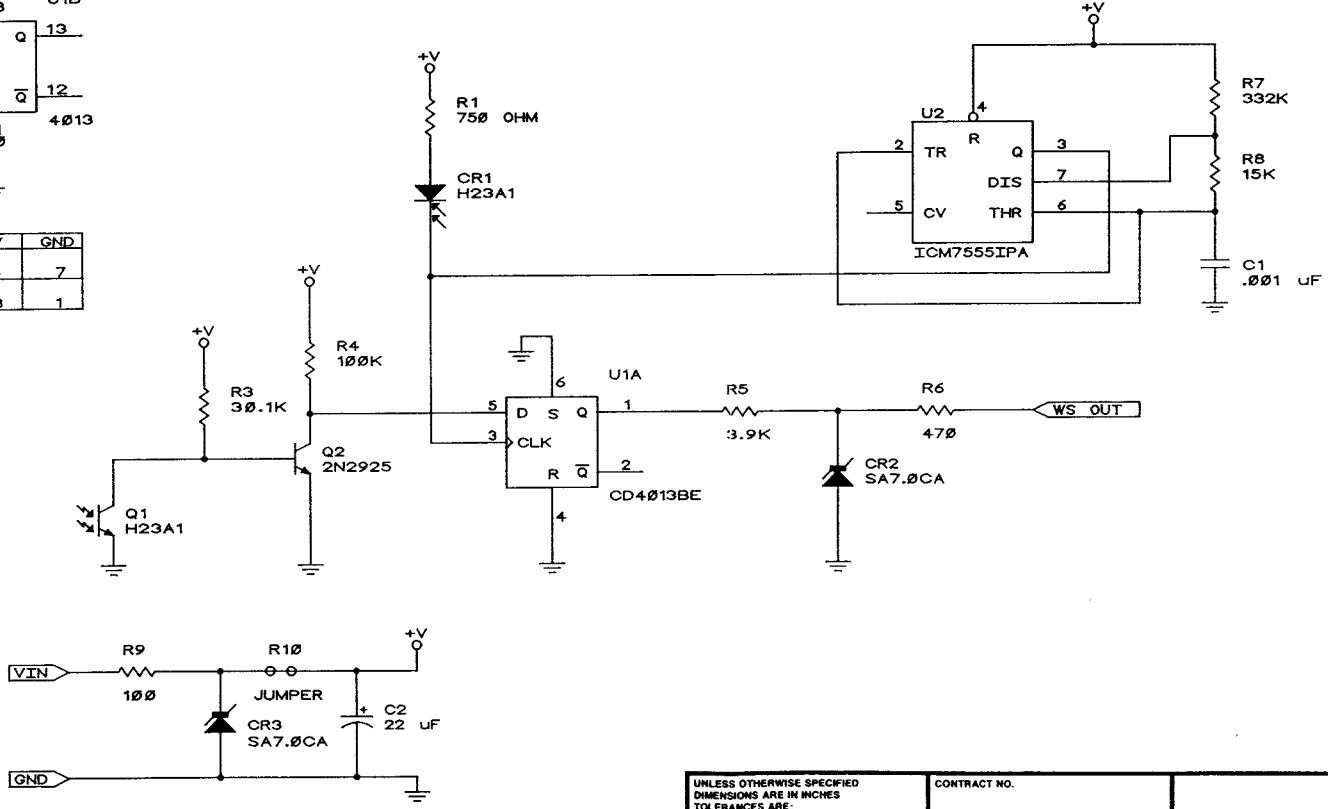


REVISIONS			
REV.	DESCRIPTION	DATE	APPROVED
A	ECN No. 4363	10/14/92	
B	ECN No. 4485	09/16/93	



REF	+V	GND
U1	14	7
U2	8	1



UNLESS OTHERWISE SPECIFIED DIMENSIONS ARE IN INCHES TOLERANCES ARE: FRACTIONS DECIMALS ANGLES ± .XX ± ±		CONTRACT NO.	
MATERIAL: NOT APPLICABLE		APPROVALS	DATE
FINISH: NOT APPLICABLE		DRAWN RVN	8/92
NEXT ASSY		CHECKED JCS	8/92
USED ON		ISSUED TJS	9/92
APPLICATION		DATE	
▲		DATE	

CLIMATRONICS

WM-III WIND SPEED AMPLIFIER SCHEMATIC

SIZE	FSCM NO.	DWG. NO.	REV.
B	52332	401354	B

SCALE: _____ SHEET 1 of 1