

SHORT-HAUL MODEM

FEATURES

- Asynchronous Transmission up to 19.2 kbps
- Transmission Range to 8 miles
- No AC power Required
- Transformer Isolated
- Compact, Lightweight
- Easy to Install

The SRM-3A and SRM-5A are asynchronous short-haul modems used for local communication between two digital devices. These can be either intelligent sensors or Climatronics' Universal Interface Module (UIM) and a computer, or an IMP-850/860/890 data logger and a PC-compatible personal computer. To link the short-haul modem to the IMP-850/860/890 data loggers, the Model CSC932 9 Pin/RS-232C Interface is required.

The short-haul modems use unconditioned 4-wire telephone lines at data rates up to 19,200 bps. The low transmit level minimizes cross-talk onto adjacent circuits within the same cable. The tables in the Specification section show the possible data transmission rates and distances for different size cables.

The modems are coupled to the dedicated line through isolation transformers which, in conjunction with electronic circuitry, protect against AC or DC overvoltages. The 4-25 Data Line Conditioner and Surge Protector provides additional surge and noise protection, and is highly recommended in applications where the data line is very long or subject to electrical noise.



SRM-3A Short-Haul Modem



SRM-5A Short-Haul Modem

SPECIFICATIONS

DATA RATES: Up to 19,200 bps
 TRANSMISSION MODE: Asynchronous, full-duplex, 4-wire
 TRANSMISSION RANGE: Up to 8 miles, depending on cable size and data rate
 TRANSMISSION LINE: 4-wire, unconditioned telephone line (two twisted pr)
 ENVIRONMENT: Temperature; 0 - 60 deg C
 Altitude; Up to 10,000 feet
 Humidity; Up to 95% non-condensing

PHYSICAL::

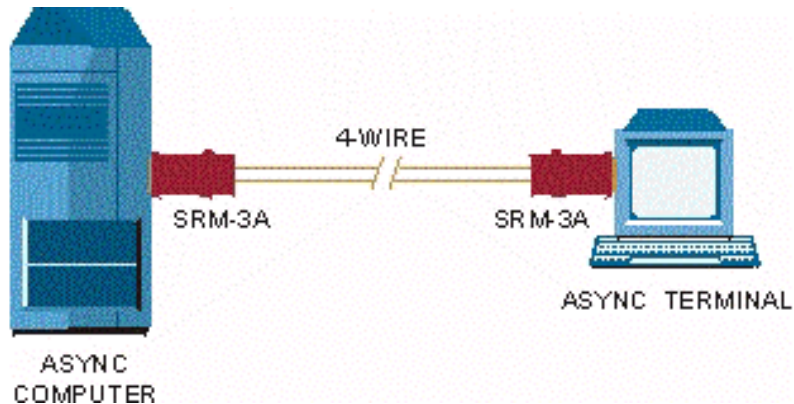
	SRM-3A	SRM-5A
Length	3.1 in (79 mm)	2.0 in (50 mm)
Width	1.5 in (38 mm)	2.1 in (52 mm)
Height	0.9 in (22 mm)	0.9 in (22 mm)
Weight	2.5 oz (72 gm)	2.5 oz (72 gm)

SRM-3A Approximate Range, Miles and Km

Data Rate bps	19 Gauge (0.9 mm)		24 Gauge (0.5 mm)		26 Gauge (0.4 mm)	
	Miles	Km	Miles	Km	Miles	Km
19,200	1.5	2.5	0.5	1.0	0.3	0.5
9,600	6.0	9.5	2.5	4.5	2.0	3.5
1,200	8.0	13.5	4.0	7.0	3.5	5.5

SRM-5A Approximate Range, Miles and Km

Data Rate bps	19 Gauge (0.9 mm)		24 Gauge (0.5 mm)		26 Gauge (0.4 mm)	
	Miles	Km	Miles	Km	Miles	Km
19,200	3.0	5.0	1.0	1.5	1.0	1.5
9,600	6.0	10.0	2.5	4.5	2.0	3.0
1,200	7.5	12.0	3.5	5.5	2.5	4.0



Climatronics Corporation
 140 Wilbur Place
 Bohemia, NY 11716-2404

TEL: 631-567-7300
 FAX: 631-567-7585
 E-Mail: sales @climatronics.com