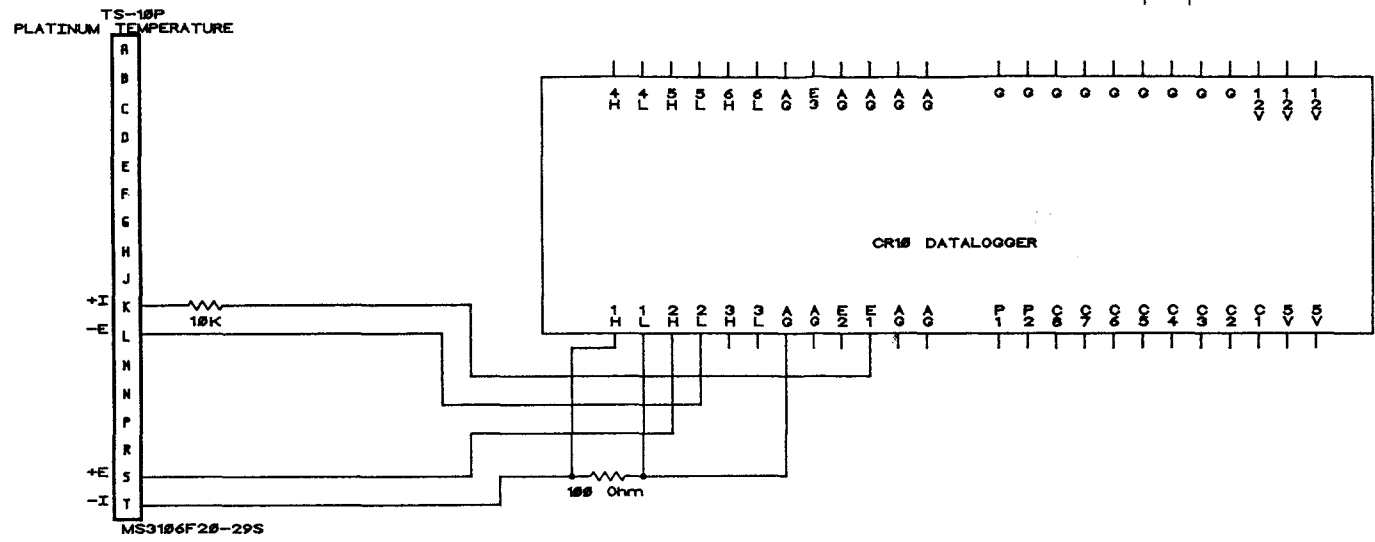


REVISIONS			
REV.	DESCRIPTION	DATE	APPROVED



DATALOGGER PROGRAM

```

#t: P9      Full BR w/Compensation
#t: 1       Rep
#2: 23     25 mV 60 Hz rejection EX Range
#3: 23     25 mV 60 Hz rejection BR Range
#4: 1      IN Chan
#5: 1      Excite all repe w/EXchan 1
#6: 2100   mV Excitation
#7: 1      Loc [Rs/Ro ]
#8: 1.0000 Mult
#9: 0.0000 Offset

#2: P16     Temperature RTD
#t: 1      Rep
#2: 1      R/Ro Loc Rs/Ro
#3: 2      Loc [TEMP ]
#4: 1.0000 Mult (1.8 for Degrees F)
#5: 0.0000 Offset (32.0 for Degrees F)
    
```

NOTE: CONSULT CR10 MANUAL FOR PLATINUM TEMPERATURE CALIBRATION PROCEDURES.

UNLESS OTHERWISE SPECIFIED DIMENSIONS ARE IN INCHES TOLERANCES ARE: FRACTIONS DECIMALS ANGLES ± .XX ± ±		CONTRACT NO.			
MATERIAL		APPROVALS	DATE	WIRING DIAGRAM 100826 TEMP/CR10	
NOT APPLICABLE		DRAWN D. ADAMS	11/93		
FINISH		CHECKED	ISSUED		
NEXT ASSY	USED ON	DO NOT SCALE DRAWING		SIZE B	FSCM NO. 52332
APPLICATION		DO NOT SCALE DRAWING		DWG. NO. SK002257	REV. -
				SCALE	SHEET