



## CS-GSM MOBILE TELEPHONE MODEM



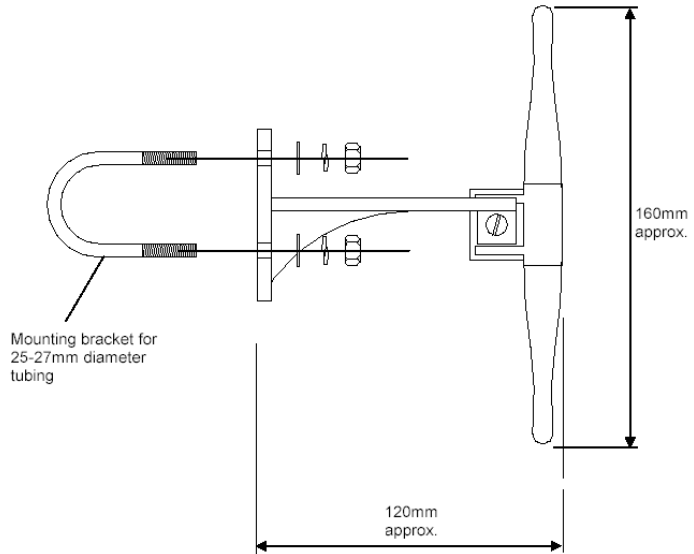
The CS-GSM kits use the Wavecom Fastrack module that is designed to allow transfer of data across a GSM (Global System for Mobile communications) digital cellular phone network. The Fastrack is a GSM digital transceiver; it can be thought of as a GSM 'phone' module without a handset, but which has an extra interface to allow data devices to be connected. It has the following features:

- Standard RS232 serial port
- Relatively low power consumption
- Wide operating temperature range (-20°C to +55°C)
- Can be used to collect data from a data logger at a similar speed to a land-based 9600 baud modem in good reception areas
- Closely emulates a standard 'Hayes style' telephone modem; suitable for situations where the data logger instigates a call back to a base station, e.g. for alarm purposes
- Compact package: 110x54x25 mm. (subject to change).
- The CS-GSM kits include all the cables and antenna to allow easy use with Climatronics' data loggers

## SPECIFICATIONS

Bands:	Dual Band GSM/GPRS modem (EGSM900/1800 MHz or EGSM900/1900 MHz)
Compliance:	Fully compliant with ETSI GSM Phase 2+ specifications (Normal MS)
Output power	Class 4 (2W @ 900 MHz) Class 1 (1W @ 1800/1900 MHz)
Input voltage:	5V-32V
Input current:	5mA in idle mode, 140mA in communication GSM900 @ 12V 5mA in idle mode, 100mA in communication GSM 1800/1900 @ 12V
Temperature range:	20°C to +55°C operating 25°C to +70°C storage
Overall dimensions:	98 x 54 x 25mm
Weight:	130g

### Antenna Supplied with GSM Modem Kit



**Climatronics Corporation**  
140 Wilbur Place  
Bohemia, NY 11716-2404

TEL: 631-567-7300  
FAX: 631-567-7585  
E-Mail: [sales@climatronics.com](mailto:sales@climatronics.com)

Rev. 23 March 2005